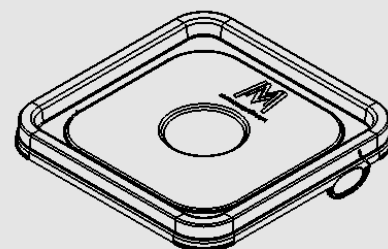


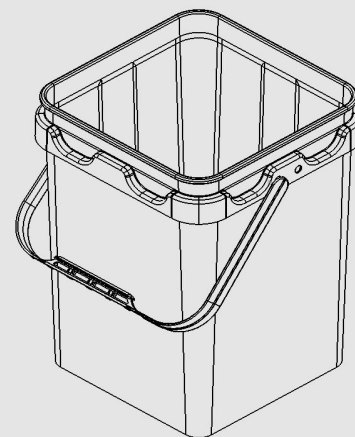
### Cover Specification

Origin of Materials	100% US Manufactured
Material	HDPE
Mfg. Method	Injection Molding
Weight	.36 lbs. / 163 g
Height	1"
Outside Diameter	9-7/8" x 9-7/8"
Min Wall Thickness	.055"
Standard Color	White <i>Please inquire about custom colors</i>
Quantity	1200 Units per Pallet



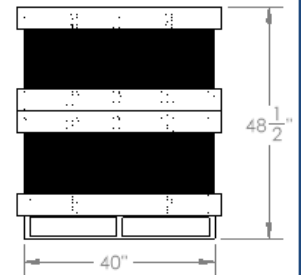
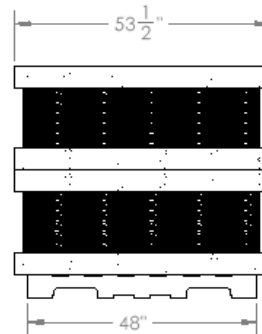
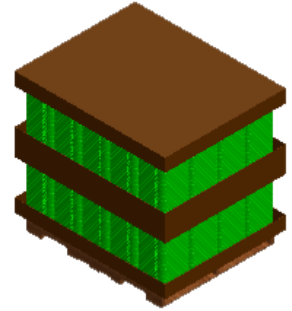
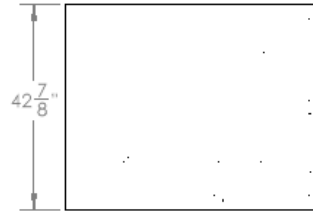
### Pail Specification

Origin of Materials	100% US Manufactured
Material	HDPE
Mfg. Method	Injection Molding
Weight	1.15 lbs. /523 grams
Min. Wall Thickness	.065"
Exterior Height	11-1/8" With Cover 11-1/4"
Top Outside Diameter	10-1/8" x 10-1/8"
Bottom Outside Diameter	8-3/8" x 8-3/8"
Shipping Quantity	360 Units per Pallet
Standard Color	White <i>Please inquire about custom colors</i>
Decoration	In Mold Labeling (IML)
Top Load Rating	300 lbs.



**Pack Specifications For Cover**

- 1200 lids per pallet
- 20 Stacks x 30 high per bundle
- 2 Bundles high
- Lid Material is HDPE



**Pack Specifications For Pail**

- 360 pails per pallet
- 20 Stacks x 18 high
- Lid Material is HDPE

