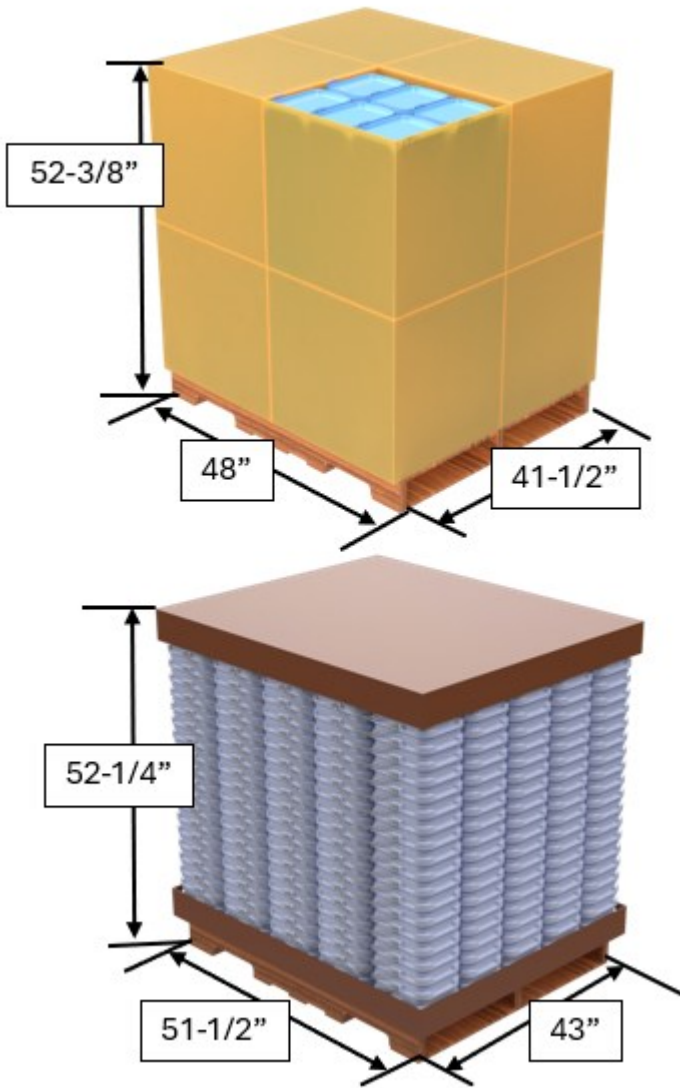


1.0 Gallon Compact K2

The Super Kube K2 Series is a versatile cost-effective FDA-grade polypropylene pail that is lightweight for general use and available in clear and colors.



PACKOUT INFORMATION

Lid quantity per pallet	1152 Lids
Lid quantity per truck	19,425 Lids
Lid pallet size (L x W x H)	48" x 42-1/2" x 52-3/8"
Pail quantity per pallet	525 Pails
Pail quantity per truck	19,425 Pails
Pail pallet size (L x W x H)	51-1/2" x 43" x 52-1/4"

PAIL AND LID INFORMATION

Pail description	1.0g Compact K2
Cover	Tear Strip
Origin of Pail	USA
Resin	Polypropylene
UN Rating	N/A
Exterior height with cover	4-3/4"
Pail height	4-5/8"
Top exterior dimensions	10" x 7-7/8"
Top interior dimensions	8-7/8" x 7-1/8"
Bottom interior dimensions	8-1/2" x 6-3/4"
Pail weight	200 grams / .44 Lbs
Lid weight	130 grams / .29 Lbs
Wall thickness	.05"
Decoration style	IML
Decoration area	30-3/8" x 3"
Color	White PLEASE INQUIRE ABOUT CUSTOM COLORS
Handle Style	Plastic
Gasket	N/A
Fitments	PLEASE INQUIRE ABOUT CUSTOM FITTINGS
Top load rating	75 Lbs
Post consumer resin capability	Yes
FDA approved materials	Yes